

SOLIS ML-52

The Morad Solis ML.52 slat wall system is an aluminum system of pressed Z-shaped facade blinds. The spacing of the slats ensures significant air permeability.

Profiles available in the colors of the RAL palette and in the raw version. On request, we offer profiles with anodized coating.

Technical Specifications:

Slat spacing: 52 mm

Depth: 40mm

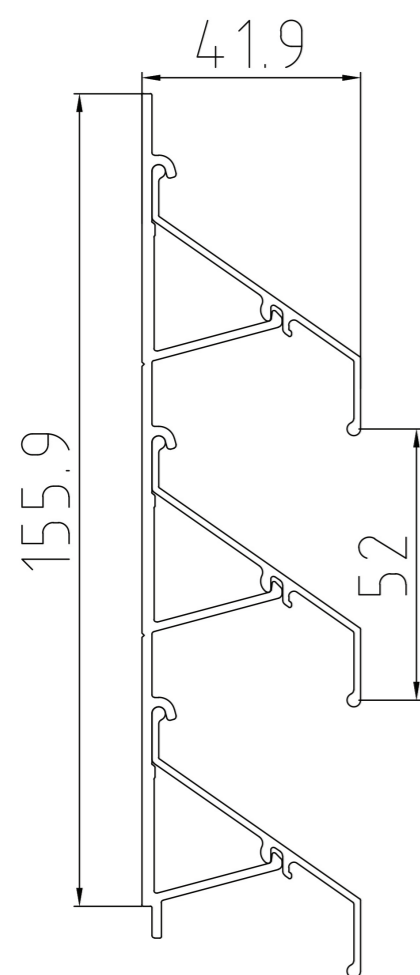
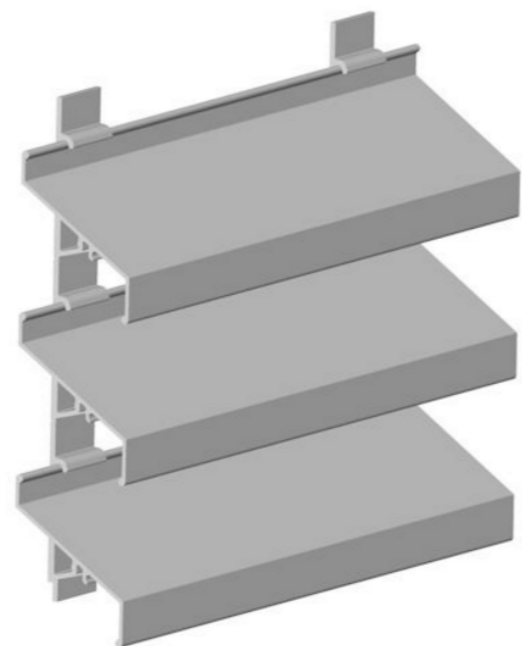
Visual cross section: 71%

Active area: 58%

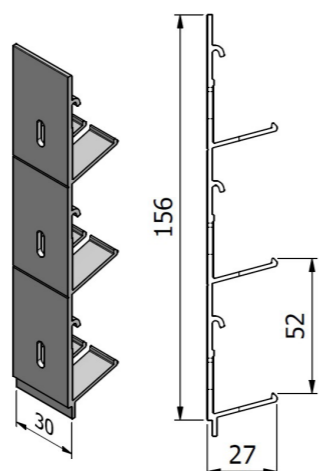
max. Substructure spacing: 1200mm

for 600Pa

Barbell length: 600 mm



Fixing
ML.52.03



Fixing
ML.52.02

